

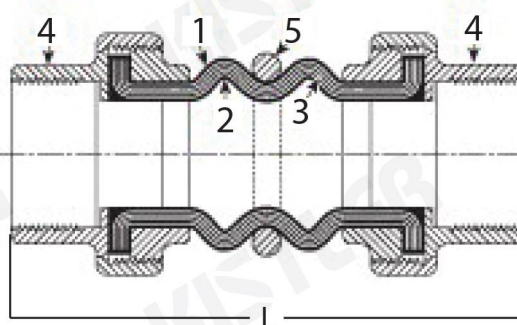
DOUBLE-SPHERE RUBBER EXPANSION JOINT WITH RING

With Union End

Fig. KDU

KISTLER Series KDU

Style molded rubber expansion joints are the choice when an economical threaded pipe connection is needed. The KDU is engineered to absorb thermal movement, offset and misalignment in piping systems. The KDU style is an excellent choice to absorb and isolate vibration. Use the KDU to protect your system from start-up forces as well as to the design of the KDU having a rubber body it eliminates metal contact stopping the electrolytic process. The KDU comes standard with galvanized ductile iron female unions. The KDU rubber expansion joint comes standard and in stock in 100% EPDM 100% NBR for same day shipment. The body components (tube/cover) are also available in a combination of the following additional materials on special order: Neoprene, EPDM, Chlorobutyl, Nitrile, Hypalon, Viton, Natural Rubber etc. Please see the materials table to determine what material is best for your application. The KDU is also available on special request with the following female union threads BSPT.



TECHNICAL CONDITION

Model	KDU
Size I.D.	1/2" - 3"
Working Pressure	150 Psi
Burst Pressure	650 Psi
Vacuum Rating	400 mm/Hg
Temperature	- 20°C to 100°C

MATERIALS

ITEM NO.	DESCRIPTION	MATERIAL
1,2	Elastomer	Synthetic Rubber(EPDM)
3	Reinforcing Fabric	Nylon Fabric
4	Union	Malleable Iron
5	Pressurized Ring	Steel Wire

TABLE OF MAIN PARAMETERS OF NORMAL CORE DIAMETER, LENGTH, DISPLACEMENT VALUE

Normal core diameter		Length (L) (mm)	Axial displacement		Lateral (mm)	Angular
(mm)	(inch.)		Compression(mm)	Extension(mm)		
15	(1/2")	200	22	6	22	45°
20	(3/4")	200	22	6	22	45°
25	(1")	200	22	6	22	45°
32	(1.1/4")	200	22	6	22	45°
40	(1.1/2")	200	22	6	22	45°
50	(2")	200	22	6	22	45°
65	(2.1/2")	265	24	10	24	45°
80	(3")	285	24	10	24	45°

- NOTE :**
1. Standard material is EPDM. The products are not applicable to oil. Other kinds of rubber material are optional.
 2. Union : Standard item employs BS Union with materials FB32 and FCD40. Also can supply ANSI, DIN and other standard.
 3. Applicable fluids : Water, Warm water, Sea water, Weak acids, Alkalis, etc.
 5. Tolerances for installation should not over 30% of Allowable movements.