



Size : DN50 - DN1200

Nominal +Pressure : PN10/16

Working Temperature : 100C - 1200C

Flange Connection : ANSI150, PN10, PN16, JIS10K

Suitable Medium : Chemicals, air warter, steam, acides, salts, etc.

Feature :

1. Small in size, light in weight, easy installation and maintenance.
2. Simple and compact construction, quick 90 degree on-off operation.
3. Minimized operating torque, energy saving.
4. Flow curve tending to straight line, excellent regulation performance.
5. Long service life, standing the test of ten thousands opening/closing operations.
6. Wide selection of materials. applicable to various medium.

SPECIFICATION STANDARD :

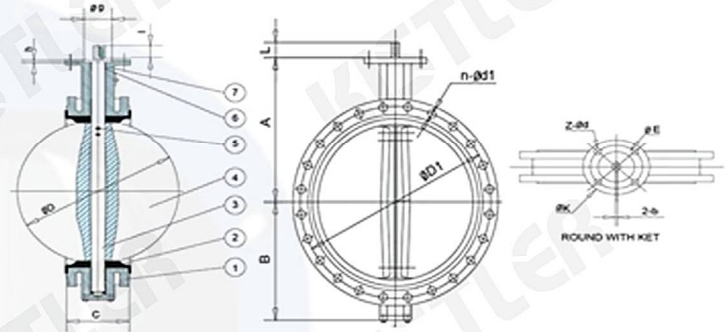
Design Standard : API609, EN593 / **Test & Inspection :** API598 / **Top Mounting flange as standard :** ISO5211

PERFORMANCE

NOMINAL DIAMETER		2 - 12"	14" - 40"
Nominal pressure (Mpa)		1.6	1.0
Test pressure (Mpa)	Shell	2.4	1.5
	Seat	1.76	1.1
Applicable temperature		-10°C - 120°C	
Applicable medium		Fresh water, Sewage, Sea Water, Air, Vapor, Food, Medicine, Oils, Acids, Alkalis, etc.	
Operation mode		Manual, Worm gear, Pneumatic, Electric actuator, etc.	

STANDARD MATERIALS OF MAIN PARTS :

NO.	PART	MATERIAL
1	Body	Ductile Iron
2	Seat	EPDM,NBR
3	Shaft	Stainless Steel 410
4	Disc	Stainless Steel 304,316
5	Pin	Stainless Steel 410
6	Bushing	PTFE
7	O-ring	EPDM, NBR



DIMENSIONS :

mm.

SIZE		A	B	C	D	L	KEY bx1	UPPER LANGE					ANSI		DIN PN10/16	
INCH	DN							K	E	z-d	g	h	D1	n-d1	D1	n-d1
2"	50	120	83	108	52.9	32	3x16	70	50	4-7	35	3	120.5	4-19	125	4-18
2.1/2"	65	130	93	112	64.5	32	3x16	70	50	4-7	35	3	139.5	4-19	145	4-18
3"	80	145	100	114	78.8	32	3x16	70	50	4-7	35	3	152.5	4-19	160	4/8-18
4"	100	155	114	127	104	32	5x19	90	70	4-9	55	3	190.5	8-19	180	8-18
5"	125	170	125	140	123.3	32	5x19	90	70	4-9	55	3	216	8-22	210	8-18
6"	150	190	143	140	155.6	32	5x19	90	70	4-9	55	3	241.5	8-22	240	8-23
8"	200	205	170	152	202.5	45	5x19	125	102	4-12	70	3.5	298.5	8-22	295	8/12-23
10"	250	235	198	165	250.5	45	8x28	125	102	4-12	70	3.5	362	12-25	350/355	12-23/27
12"	300	280	223	178	301.6	45	8x28	140	102	4-12	70	3.5	432	12-25	400/410	12-23/27
14"	350	310	279	190	333.3	45	8x28	140	102	4-12	70	3.5	479	12-29	460/470	16-23/27
16"	400	340	300	216	389.6	51.2/72	10x50	175	140	4-18	100	4	540	16-29	515/525	16/27/30
18"	450	375	345	222	440.5	51.2/72	10x50	175	140	4-18	100	4	578	16-32	565/585	20-27/30
20"	500	430	355	229	491.6	52.7/77.5	10x50	175	140	4-18	100	4	635	20-32	620/650	20-27/33
24"	600	500	410	267	592.5	70.2/80	2-16x60	210	165	4-23	130	5	749.5	20-35	725/770	20-30/36
28"	700	560	478	292	695	66/82	2-18x63	300	254	8-18	200	5.5	863.5	28-35	840	24-30/36
32"	800	620	529	318	794.7	66/82	2-18x63	300	254	8-18	200	5.5	978	28-41	950	24-33/39
36"	900	665	584	330	864.7	118	2-20x100	300	254	8-18	200	5.5	1086	32-41	1050	28-33/39
40"	1000	735	657	410	965	141	2-22x140	300	254	8-18	200	5.5	1200	36-41	1160/1170	28-36/42