

BALL VALVE 1-PIECE (Reduce Bore)

Threaded : BSPT

Materials : SUS304 / Gr. CF8

Application : Water, Oil, Gas

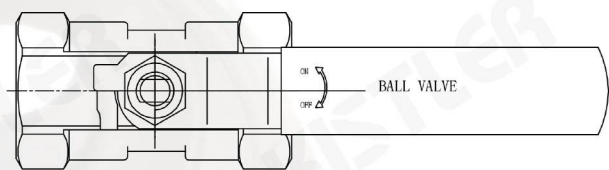
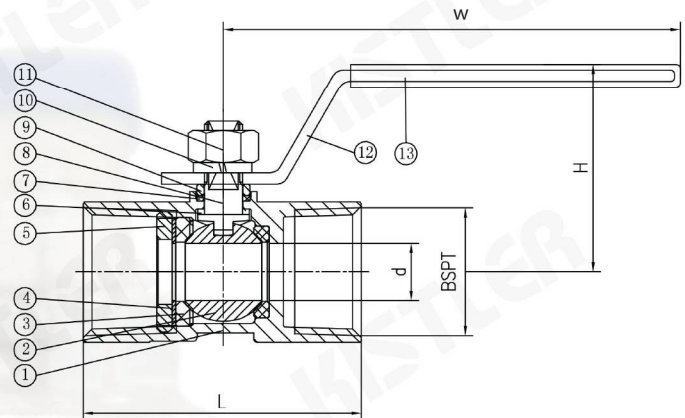
- Features :
- Investment Casting Body
 - Working Pressure 1000 psi.
 - Hydrostatic Test Pressure 1500 psi.
 - Temperature Range -10°C to 100°C
 - Adjustable Stem Packing
 - Pure Teflon Seals and Seats
 - Blow-Out Proof Stem
 - Locking Device (Optional)

Fig. BV-1RS04



MATERIALS

NO.	NAME OF PART	SPECIFICATION
1	Body	SUS304 (CF8, SCS13)
2	Ball	SUS304 (CF8, SCS13)
3	Seat	PTFE (TEFLON)
4	Washer	SUS304 (CF8, SCS13)
5	Insert	SUS304 (CF8, SCS13)
6	Thrust Washer	PTFE (TEFLON)
7	Stem	SUS304 (CF8, SCS13)
8	Stem Packing	PTFE (TEFLON)
9	Gland	SUS304 (CF8, SCS13)
10	Spring Washer	SUS304 (CF8, SCS13)
11	Nut	SUS304 (CF8, SCS13)
12	Handle	SUS304 (CF8, SCS13)
13	Handle Cover	PVC



DIMENSIONS

Unit : mm.

SIZE	d	L	H	W
1/4"	5	40	25	72
3/8"	7	44	30	82
1/2"	9	51	36	88
3/4"	12	54	42	96
1"	15	63	45	110
1.1/4"	20	70	52	110
1.1/2"	25	77	60	136
2"	32	90	65	150