

BALL VALVE 2-PIECE (Full Bore)

Threaded : BSPT

Materials : SUS304 / Gr. CF8

Application : Water, Oil, Gas

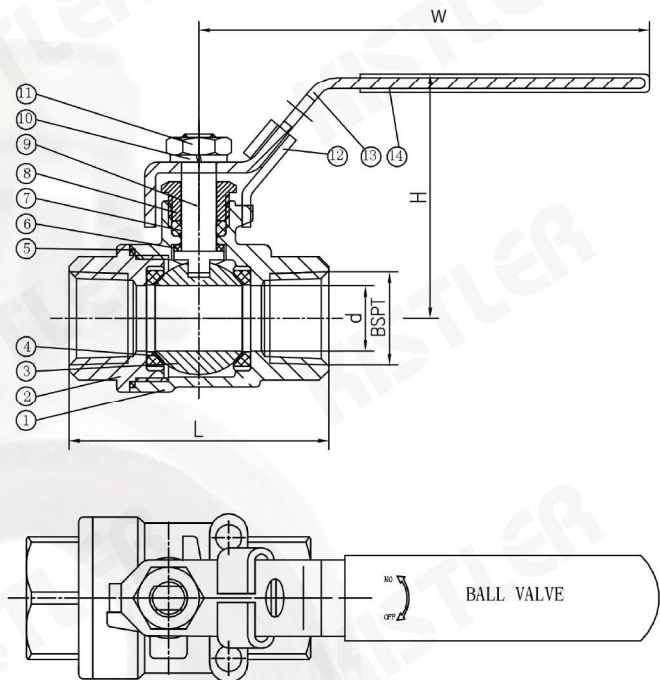
- Features :
- Investment Casting Body
 - Working Pressure 1000 psi.
 - Hydrostatic Test Pressure 1500 psi.
 - Temperature Range -10°C to 100°C
 - Adjustable Stem Packing
 - Pure Teflon Seals and Seats
 - Blow-Out Proof Stem
 - Locking Device

Fig. BV-2FS04



MATERIALS

NO.	NAME OF PART	SPECIFICATION
1	Body	SUS304 (CF8, SCS13)
2	Cap	SUS304 (CF8, SCS13)
3	Ball	SUS304 (CF8, SCS13)
4	Seat	PTFE (TEFLON)
5	Joint Gasket	PTFE (TEFLON)
6	Thrust Washer	PTFE (TEFLON)
7	Packing	PTFE (TEFLON)
8	Gland Bush	SUS304 (CF8, SCS13)
9	Stem	SUS304 (CF8, SCS13)
10	Washer	SUS304 (CF8, SCS13)
11	Nut	SUS304 (CF8, SCS13)
12	Lock	SUS304 (CF8, SCS13)
13	Handle	SUS304 (CF8, SCS13)
14	Handle Cover	PVC



DIMENSIONS

Unit : mm.

SIZE	d	L	H	W
1/4"	8	56	55	97
3/8"	10	56	55	97
1/2"	15	55	57	105
3/4"	20	62	57	111
1"	25	75	68	113
1.1/4"	32	81	80	130
1.1/2"	38	97	90	135
2"	49	105	95	151
2.1/2"	65	150	130	204
3"	80	175	140	246