

BALL VALVE 3-PIECE (Full Bore)

Threaded : BSPT

Materials : SUS304 / Gr. CF8

Application : Water, Oil, Gas

Features : - Investment Casting Body

- Working Pressure 1/4" - 2" 1000 psi., 2.1/2" - 4" 800 psi.

- Hydrostatic Test Pressure 1/4" - 2" 1500 psi.

2.1/2" - 4" 1200 psi.

- Temperature Range -10°C to 100°C

- Adjustable Stem Packing

- Pure Teflon Seals and Seats

- Blow-Out Proof Stem

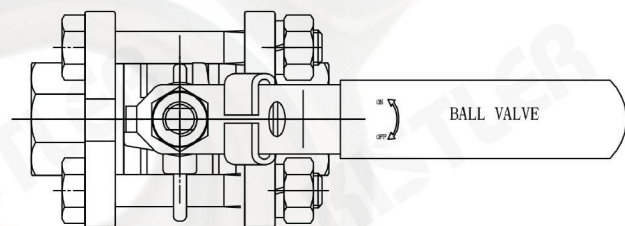
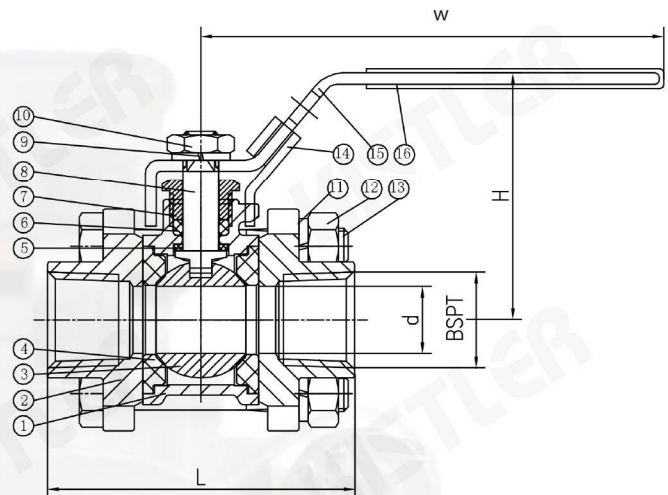
- Locking Device

Fig. BV-3FS04



MATERIALS

NO.	NAME OF PART	SPECIFICATION
1	Body	SUS304 (CF8, SCS13)
2	Cap	SUS304 (CF8, SCS13)
3	Ball	SUS304 (CF8, SCS13)
4	Seat	PTFE (TEFLON)
5	Thrust Washer	PTFE (TEFLON)
6	Packing	PTFE (TEFLON)
7	Gland Bush	SUS304 (CF8, SCS13)
8	Stem	SUS304 (CF8, SCS13)
9	Washer	SUS304 (CF8, SCS13)
10	Nut	SUS304 (CF8, SCS13)
11	Washer	SUS304 (CF8, SCS13)
12	Nut	SUS304 (CF8, SCS13)
13	Bolt	SUS304 (CF8, SCS13)
14	Lock	SUS304 (CF8, SCS13)
15	Handle	SUS304 (CF8, SCS13)
16	Handle Cover	PVC



DIMENSIONS

Unit : mm.

SIZE	d	L	H	W
1/4"	8	62	53	96
3/8"	10	62	53	96
1/2"	15	60	54	102
3/4"	20	70	60	112
1"	25	80	75	128
1.1/4"	32	90	80	124
1.1/2"	38	102	95	151
2"	50	120	95	167
2.1/2"	65	170	140	204
3"	80	185	150	225
4"	100	228	168	503