

BALL VALVE 3-PIECE (Full Bore) DIRECT MOUNT TYPE

Threaded : BSPT

Materials : SUS316 / Gr. CF8M

Application : Water, Oil, Gas

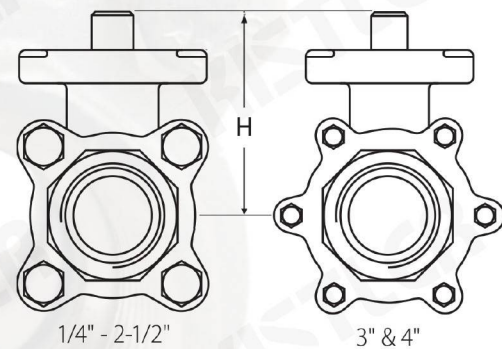
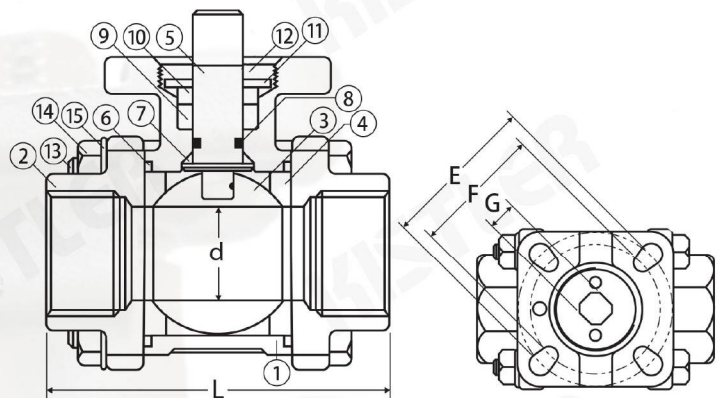
- Features :
- Investment Casting Body
 - Working Pressure 1000 psi.
 - Temperature Range -10°C to 100°C
 - Adjustable Stem Packing
 - Blow-Out Proof Stem
 - With ISO 5211 Direct Mounting Pad

Fig. BV-3MF



MATERIALS

NO.	NAME OF PART	SPECIFICATION
1	Body	SUS316 (CF8M, SCS14)
2	End Cap	SUS316 (CF8M, SCS14)
3	Ball	SUS316 (CF8M, SCS14)
4	Seal	PTFE (TEFLON)
5	Stem	SUS316 (CF8M, SCS14)
6	Body Seal	PTFE (TEFLON)
7	Gasket	PTFE (TEFLON)
8	O-ring	PTFE (TEFLON)
9	Packing	SUS304 (CF8, SCS13)
10	Packing Ring	SUS304 (CF8, SCS13)
11	Washer	SUS304 (CF8, SCS13)
12	Packing Plate	SUS304 (CF8, SCS13)
13	Body Bolt	SUS304 (CF8, SCS13)
14	Body Nut	SUS304 (CF8, SCS13)
15	Lock Washer	SUS304 (CF8, SCS13)



DIMENSIONS

Unit : mm.

SIZE	d	L	H	G	F	E	Torque Valve N-m
1/4"	10	63	74	9	F03	F04	8
3/8"	12	63	74	9	F03	F04	8
1/2"	15	65	50	9	F03	F04	10
3/4"	20	77	55	9	F03	F04	12
1"	25	89	68	11	F04	F05	18
1.1/4"	32	97	77	11	F04	F05	25
1.1/2"	38	107	92	14	F05	F07	22
2"	50	129	101	14	F05	F07	48
2.1/2"	65	169	125	17	F07	F10	70
3"	80	200	170	17	F07	F10	100
4"	100	228	202	22	F10	F12	130