

SPRING CHECK VALVE

Threaded : BSPT

Materials : SUS304 / Gr.CF8

Application : Water, Oil, Gas

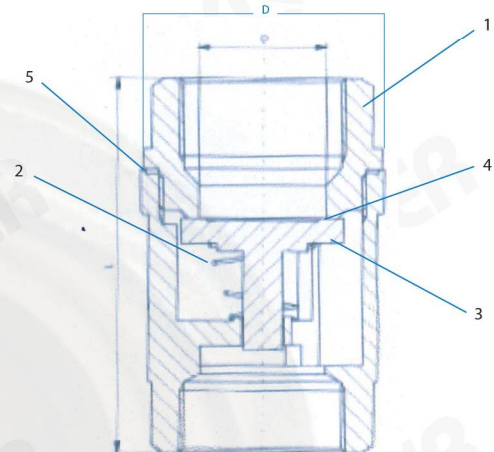
Features : - Investment Casting Body
 - Working Pressure 800 psi.
 - Temperature Range -10°C to 100°C

Fig. CV-800S04



MATERIALS

NO.	NAME OF PART	SPECIFICATION
1	Body	SUS304 (CF8, SCS13)
2	Spring	SUS304 (CF8, SCS13)
3	Disc	SUS304 (CF8, SCS13)
4	Seal	SUS304 (CF8, SCS13)
5	Gasket	PTFE (TEFLON)



PRESSURE - TEMPERATURE RATINGS

Working Pressure	800 psi
Working Temperature	-10 to 100°C

DIMENSIONS

Unit : mm.

SIZE	G	L	D
1/2"	15	60	34
3/4"	20	63	41
1"	25	76	46
1.1/4"	32	87	57
1.1/2"	40	99	67
2"	50	109	80