

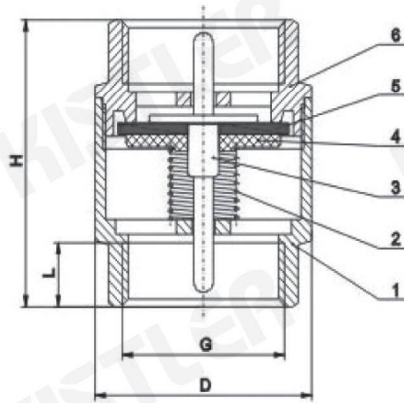
FEATURE

1. Suitable Medium : Water, Sea Water, Non-causticity liquid, Saturated Steam
2. Max.Working Pressure : 200 PSI
3. Max.Temperature : -10° to 100°C
4. Thread : BS 21

MSS Specification Valve

SPRING CHECK VALVE

Fig. CVSP-1002



200 W.O.G



MATERIALS

NO.	NAME OF PARTS	MATERIAL	ASTM SPECIFICATIONS
1	Body	Forged Brass	B283-C37700
2	Spring	SUS304	A167-304
3	Piston	Forged Brass	B283-C37700
4	Disc	Forged Brass	B283-C37700
5	Seal Gasket	EPDM	
6	Bonnet	Forged Brass	B283-C37700

WORKING PRESSURE		TEST	
Saturated Steam	Cold Water, Oil, Gas	Shell (Water)	Seat (Air)
Psi 125	200	300	80
Bar 10.3	13.8	20.7	5.5

Note :

1. End threads conform to the British standard Taper pipe threads.
2. Each valve is individually tested for seat and shell tightness.
3. Minimum and maximum working temperature -10° to 100°C
4. These valve conform to the requirements of MSS SP-110

DIMENSIONS

Unit : mm.

SIZE	G	D	L	H	Weight / kgs
1/2"	20	34	11.5	45	0.14
3/4"	25	43	14.3	49	0.27
1"	31	49	13.7	54	0.28
1.1/4"	40	59	14.5	62	0.33
1.1/2"	45	62	16.3	69	0.53
2"	57	86	20.2	101	1.3
2.1/2"	72	115	25.3	116	2.8
3"	85	129	23.1	131	4
4"	110	149	29.0	153	4