

GLOBE VALVE

Threaded : BSPT

Materials : SUS304 / Gr.CF8

Application : Water, Oil, Gas

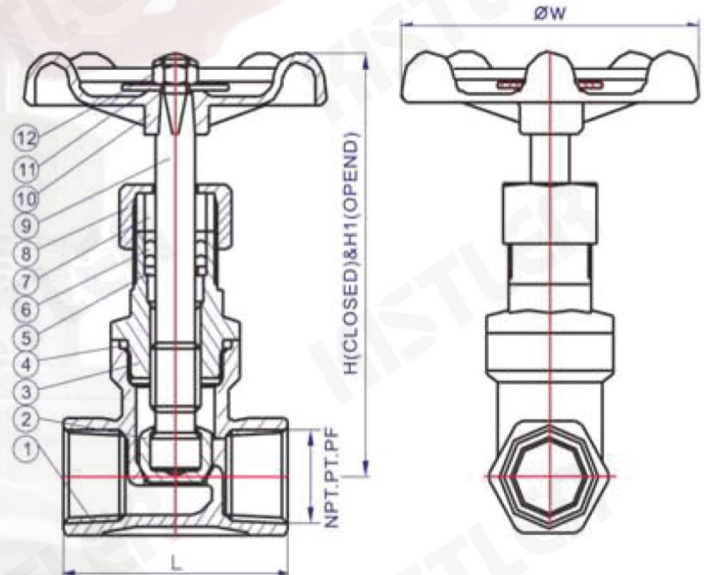
- Features :
- Investment Casting Body
 - Working Pressure 200 psi.
 - Temperature Range -10°C to 100°C
 - Solid Wedge Disc, Integral Seat
 - Adjustable Stem Packing
 - Rising Stem and Hand Wheel

Fig. GB-200S04



MATERIALS

NO.	NAME OF PART	SPECIFICATION
1	Body	SUS304 (CF8, SCS13)
2	Disc	SUS304 (CF8, SCS13)
3	Bonnet	SUS304 (CF8, SCS13)
4	Gasket	PTFE (TEFLON)
5	Gasket	SUS304 (CF8, SCS13)
6	Packing	PTFE (TEFLON)
7	Gland	SUS304 (CF8, SCS13)
8	Cap Nut	SUS304 (CF8, SCS13)
9	Stem	SUS304 (CF8, SCS13)
10	Hand Wheel	ALUMINIUM
11	Name Plate	ALUMINIUM
12	Stem Nut	SUS304 (CF8, SCS13)



DIMENSIONS

Unit : mm.

SIZE	L	H	H1	W
1/4"	52	95	106	70
3/8"	52	95	106	70
1/2"	66	89	98	64
3/4"	61	90	114	64
1"	86	98	109	72
1.1/4"	99	119	135	95
1.1/2"	114	120	147	95
2"	133	140	155	95