

#### GATE VALVE

Threaded : BSPT

Materials : SUS304 / Gr.CF8

Application : Water, Oil, Gas

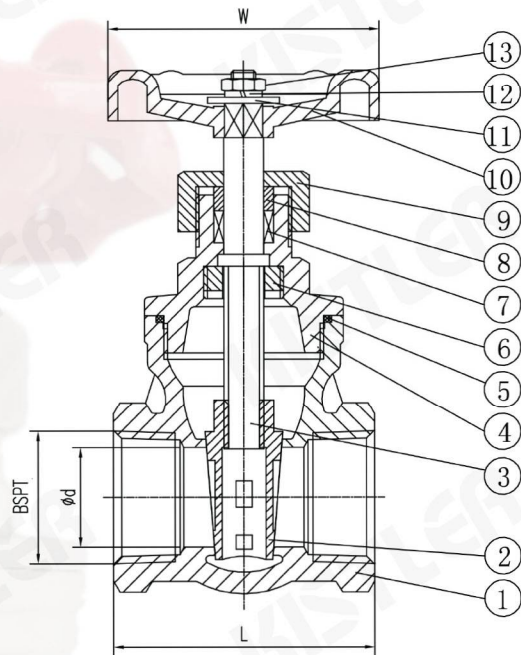
- Features :
- Investment Casting Body
  - Working Pressure 200 psi.
  - Temperature Range -10°C to 100°C
  - Solid Wedge Disc, Integral Seat
  - Adjustable Stem Packing
  - Non-Rising Stem and Hand Wheel

Fig. GV-200S04



#### MATERIALS

NO.	NAME OF PART	SPECIFICATION
1	Body	SUS304 (CF8, SCS13)
2	Disc	SUS304 (CF8, SCS13)
3	Stem	SUS304 (CF8, SCS13)
4	Cap	SUS304 (CF8, SCS13)
5	Joint Gasket	PTFE (TEFLON)
6	Insert	SUS304 (CF8, SCS13)
7	Stem Packing	PTFE (TEFLON)
8	Gland	SUS304 (CF8, SCS13)
9	Cap Nut	SUS304 (CF8, SCS13)
10	Hand Wheel	ALUMINIUM
11	Name Plate	ALUMINIUM
12	Washer	SUS304 (CF8, SCS13)
13	Nut	SUS304 (CF8, SCS13)



#### DIMENSIONS

Unit : mm.

SIZE	d	L	H	W
1/4"	10	55	100	70
3/8"	12	60	107	70
1/2"	15	52	92	64
3/4"	20	57	100	64
1"	25	62	110	71
1.1/4"	32	70	120	78
1.1/2"	38	72	135	95
2"	50	85	156	97