

FEATURE

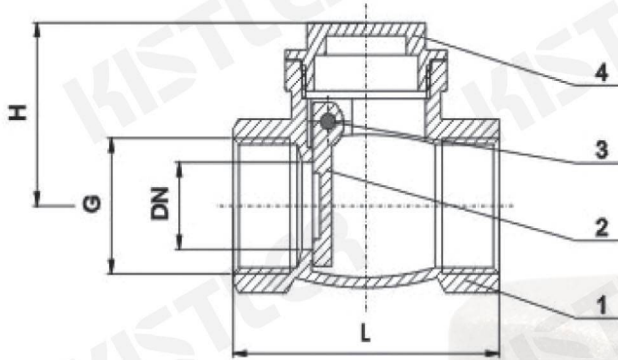
1. Suitable Medium : Water, Sea Water, Non-causticity liquid, Saturated Steam
2. Max.Working Pressure : 200 PSI
3. Max.Temperature : -10° to 100°C
4. Thread : BS 21

MSS Specification Valve

SWING CHECK VALVE

Fig. SCV-1001

200 W.O.G



MATERIALS

NO.	NAME OF PARTS	MATERIAL	ASTM SPECIFICATIONS
1	Body	Forged Brass	B283-C37700
2	Wedge Disc	Forged Brass	B283-C37700
3	Pin	Forged Brass	B283-C37700
4	Bonnet	Forged Brass	B283-C37700

WORKING PRESSURE		TEST	
Saturated Steam	Cold Water, Oil, Gas	Shell (Water)	Seat (Air)
Psi	125	200	300
Bar	10.3	13.8	20.7

Note :

1. End threads conform to the British standard Taper pipe threads.
2. Each valve is individually tested for seat and shell tightness.
3. Minimum and maximum working temperature -10° to 100°C
4. These valve conform to the requirements of MSS SP-110

DIMENSIONS

Unit : mm.

SIZE	G	DN	L	H	Weight / kgs
1/2"	15	12.5	66	53	0.18
3/4"	20	16.5	75	53	0.23
1"	25	20.5	81	59	0.37
1.1/4"	32	27	91	72	0.37
1.1/2"	40	33	103	72	0.51
2"	50	43	129	79	1.13