

### Y-STRAINER

Threaded : BSPT

Materials : SUS304 / Gr.CF8

Application : Water, Oil, Gas

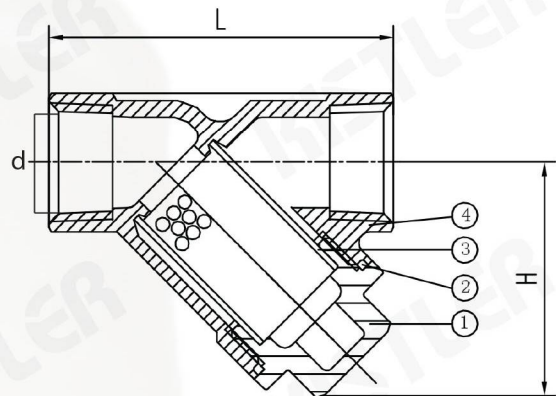
- Features :
- Investment Casting Body
  - Working Pressure 800psi.
  - Temperature Range -10°C to 100°C
  - Standad Strainer 80 Mesh

Fig. YST-800S04



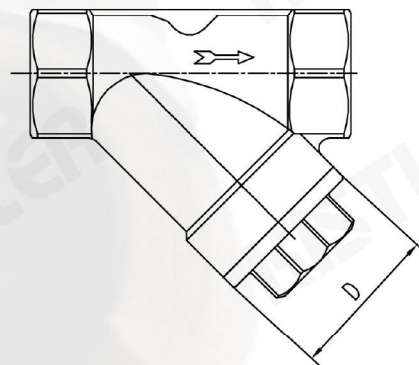
### MATERIALS

NO.	NAME OF PART	SPECIFICATION
1	Body	SUS304 (CF8, SCS13)
2	Screen	SUS304 (CF8, SCS13)
3	Gasket	PTFE (TEFLON)
4	Cap	SUS304 (CF8, SCS13)



### PRESSURE -TEMPERATURE RATINGS

Working Pressure	800 psi
Working Temperature	-10 to 100°C



### DIMENSIONS

Unit : mm.

SIZE	d	L	H	D
1/4"	10	65	43	47
3/8"	12	65	43	47
1/2"	15	62	43	30
3/4"	20	74	50	35
1"	25	88	61	43
1.1/4"	32	100	68	47
1.1/2"	40	108	73	54
2"	50	138	92	65
2.1/2"	65	165	118	83
3"	80	200	104	152