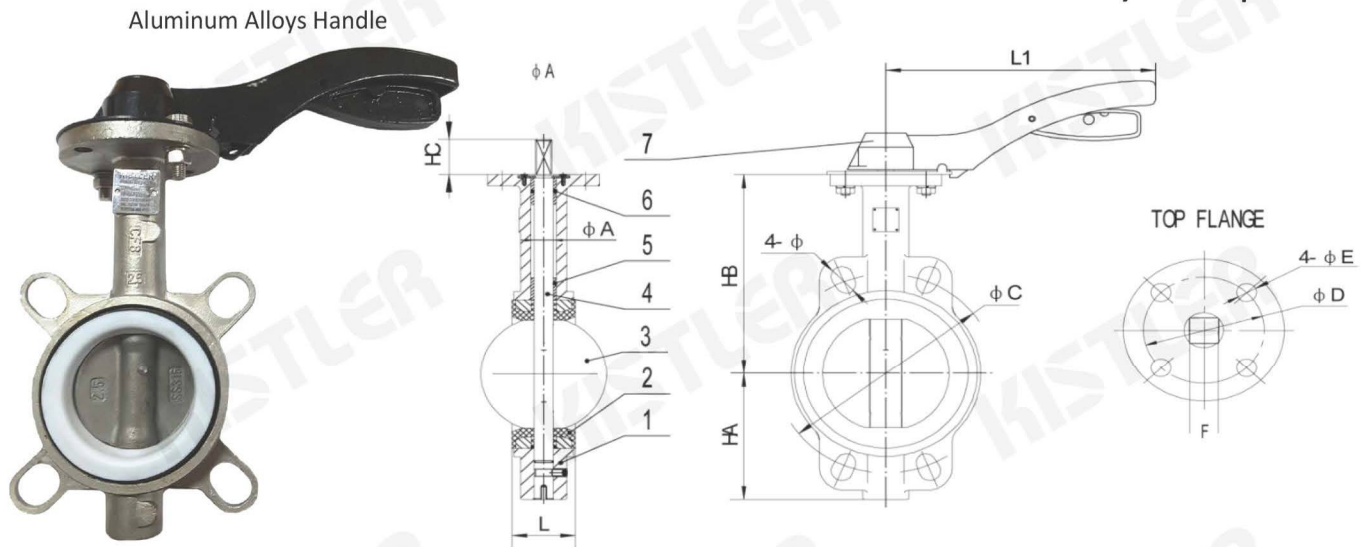


RESILIENT SEAT BUTTERFLY VALVE

Fig. BFV100LS - WAFER Stainless Body Lever Operated
BFV100GS - WAFER Stainless Body Gear Operated



FEATURE

1. Design Aluminum Alloys Handle.
2. Small in size and light in weight, easy to install. Simple, compact structure, quick 90 degree on - off operation.
3. Disc has two - way bearing perfect seal, without leakage under the pressure test.
4. Center plate structure, small torque of open and close.
5. Long service life. Standing the test of 10000 times opening and closing operation.
6. Disc and Stem are fastened by pin, more stable.
7. The operation top flange conforms to ISO5211 which Electric or Pneumatic actuator that have ISO5211 flange can be directly mounted.
8. Flow curve tending to straight - line. Excellent regulation performance.

MATERIALS

NO.	PART NAME	SPECIFICATION
1	Body	Stainless Steel 304 (CF8)
2	Seat	PTFE
3	Disc	Stainless Steel 316 (CF8M)
4	Stem	Stainless Steel ASTM 410
5	Bushing	PTFE
6	O-Ring	EPDM
7	Handle	Aluminum Alloys

PERFORMANCE

Nominal Diameter (mm.)	50 (2") - 300 (12")	
Max. Working Pressure	16 bar (232 psi.)	
Max. Working Temperature	-10°C + 150°C	
Hydrostatic Test	Body	24 bar (348 psi.)
	Seat	17.6 bar (255 psi.)

DIMENSIONS

DN (mm)	INCH	L	HA	HB	HC	Ø A	F	Ø D	4 - Ø E	L1	C
50	2"	42.0	66	130	30	12.7	11x11	F07	4 - 9	215	
65	2.1/2"	44.7	75	140	30	12.7	11x11	F07	4 - 9	215	
80	3"	45.2	95	150	30	12.7	11x11	F07	4 - 9	215	This dimension
100	4"	52.0	108	170/18	30	15.8	11x11	F07	4 - 9	220	can be acc to BS5155,
125	5"	54.4	123	5	30	19.0	14x14	F07	4 - 9	220	JIS10K, ANSI 125/150
150	6"	55.8	135	205	30	19.0	14x14	F07	4 - 9	220	DIN PN10/PN16,
200	8"	60.6	170	235	40	22.2	17x17	F10	4 - 11	350	UNI Standard, etc.
250	10"	65.6	200	270	45	28.6	17x17	F10	4 - 11	Gear	
300	12"	76.9	237	305	45	31.8	17x17	F10	4 - 11	Gear	

Unit : mm.