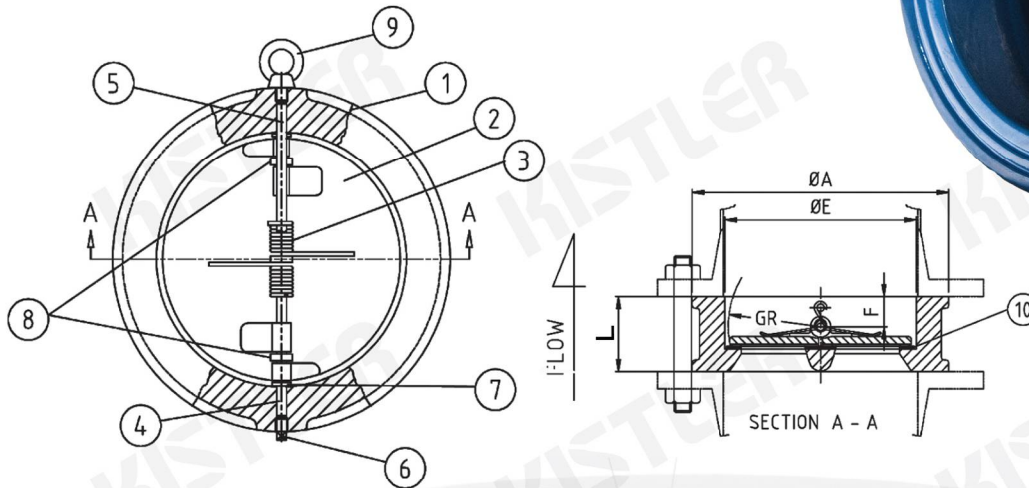


Fig. DCV - 603

Valve Design : API594

Valve Pressure Testing & Inspection : API598

Flange Connections : JIS10K, ANSI125/150, PN10/16



FEATURES & APPLICATIONS

1. This valve is tightly sealed without leakage under the pressure water test.
2. Safe and reliable in operation high interference resistance.
3. Suitable mediums : Fresh water, Sewage, Sea water, Air, Steam, Food, Medicine, Oils, Acids, etc.
4. This valve is used for preventing the back-going of medium in pipelines & equipments and the pressure of medium will bring and closing automatically. When the medium is back-going, valve disc the result of opening will automatically close to avoid accidents.

MATERIALS

NO.	NAME OF PARTS	MATERIAL
1	Body	Cast Iron (A126, FC200)
2	Disc/Plate	SUS316 (CF8M, SCS14)
3	Spring	SUS304 (CF8, SCS13)
4	Hinge Pin	Stainless Steel (SS416)
5	Stop Pin	EPDM, NBR
6	Plug	Stainless Steel (SS416)
7	Body Bearing	PTFE (TEFLON)
8	Spring Bearing	PTFE (TEFLON)
9	Eye Bolt	Carbon Steel (SS400)
10	Body Seat	EPDM, NBR

PERFORMANCE

Nominal Pressure	2" - 12" 50 - 300mm.	14" - 40" 350 - 1,000mm.
Max.Working Pressure	16 bar (232psi.)	10 bar (150psi.)
Max.Working Temperature	NBR 80°C EPDM 120°C	

DIMENSIONS

SIZE (DN),d mm.	inch	2"	2.1/2"	3"	4"	5"	6"	8"	10"	12"	14"	16"	18"	20"
		50	65	80	100	125	150	200	250	300	350	400	450	500
L		43	46	64	64	70	76	89	114	114	127	140	152	152
A		101	121	131	156	187	217	267	328	375	420	483	538	593
E		65	80	94	117	145	170	224	265	310	360	410	450	505
GR		28.8	36.1	43.4	52.8	65.7	78.6	104	127	148	172.4	197.4	217.8	241.8
F		19	20	28	27	30	31	33	50	43	45	52	58	58