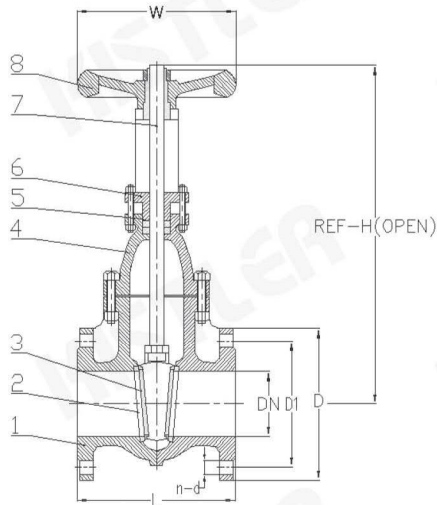


Outside screw and yoke, Rising stem  
Bolted bonnet, Solid wedge disc



**Fig. GV-501 (ANSI150)**  
**GV-502 (JIS10K)**  
**GV-503 (PN10)**  
**GV-504 (PN16)**



### SPECIFICATION

- Designed and Manufacture : JIS B2031
- Face to Face dimensions : ASME B16.10, JIS B2002
- Pipe flanges and flanges ends : ASME B16.1, JIS B2210

### FEATURE AND APPLICATION

1. Outside screw and yoke, Rising stem.
2. Hand wheel operation, Flanged End Connections.
3. Bolted bonnet, Solid Wedge Disc Design.
4. For General and Industrial Service.
5. Water, Oil, Gas and Steam.

### MATERIALS

NO.	NAME OF PARTS	MATERIAL
1	Body	Cast Iron (A126, FC200, GG25)
2	Seat seal ring	Brass
3	Disc	Cast Iron (A126, FC200, GG25)
4	Bonnet	Cast Iron (A126, FC200, GG25)
5	Packing	Non-Asbestos (option;Graphite)
6	Gland	Cast Iron (A126, FC200, GG25)
7	Stem	SS410
8	Hand wheel	Cast Iron (A126, FC200, GG25)

### PERFORMANCE

Application	Max.Working Pressure & Temperature	Test
Water & Oil	200 psi. (14 bar) 120°C	- Hydrostatic shell test 25 bar
Saturated Steam	70 psi. ( 5 bar) 120°C	- Hydrostatic seat test 15 bar - Air test 6 bar

### DIMENSIONS

Unit : mm

SIZE inch.	H	L	W	JIS10K			ANSI150			PN10			PN16		
				D	C	N	D	C	N	D	C	N	D	C	N
2"	330	180	165	155	120	4	152	121	4	165	125	4	165	125	4
2.1/2"	350	190	165	175	140	4	178	140	4	185	145	4	185	145	4
3"	428	200	200	185	150	8	191	152	4	200	160	8	200	160	8
4"	513	229	200	210	175	8	229	191	8	220	180	8	220	180	8
5"	625	250	250	250	210	8	254	216	8	250	210	8	250	210	8
6"	703	270	250	280	240	8	279	241	8	285	240	8	285	240	8
8"	952	290	300	330	290	12	343	299	8	340	295	8	340	295	12
10"	1150	330	320	400	355	12	406	362	12	395	350	12	405	355	12
12"	1314	350	350	445	400	16	483	432	12	445	400	12	460	410	12