

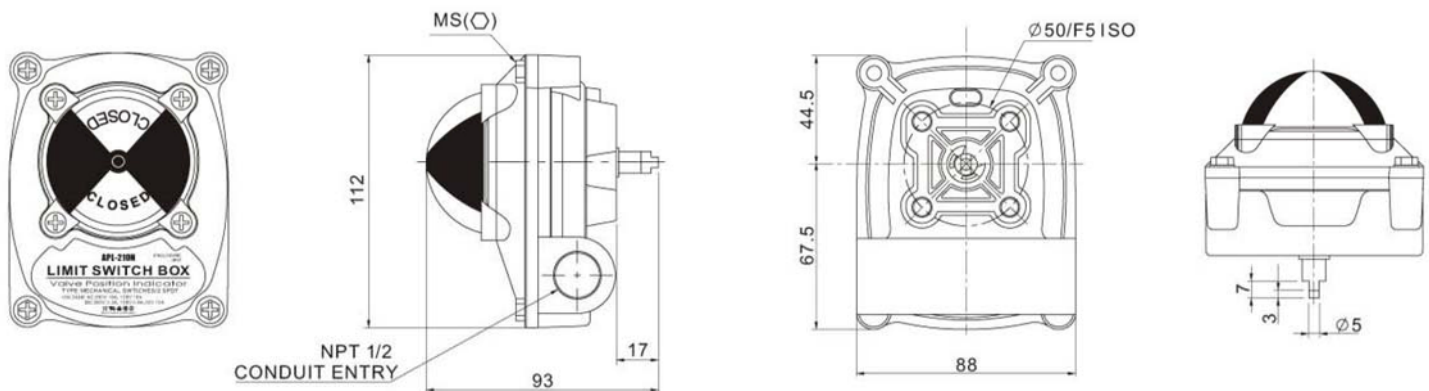
FEATURES

- ◎ **Solid and compact design**
Aluminium die-casting housing and powder coating
- ◎ **Bolts on visual position indicator**
- ◎ **Quick-set cam**
Spring loaded splined cam
No need to adjust again initial setting.
Easy setting without tool
- ◎ **Dual cable entries**
2×1/2NPT
- ◎ **Captive cover bolts**
No worry to loose bolts while cover open
- ◎ **Easy mounting bracket**
NAMUR standard stainless steel shaft and bracket



SPECIFICATION	STANDARD	OPTION	MATERIAL	
Enclosure	Weather proof IP67/NEMA4&4X	IP68	Housing cover & body	Aluminium die-casting
Ambient temperature	-30°C~80°C		Shaft	Stainless steel
Conduit entries	2×NPT1/2	2×NPT1/2	Indicator cover V	Polycarbonate
Terminalstips	8 points(0.08-2.5mm ²)		Indicator	ABS/Polycarbonate
Position indicator	Closed: red Open:yellow	Closed: red Open: green	Cam	Polycarbonate
Switches	Mechanical switch: 2×SPDT	Proximity sensor×2	Spring	Stainless steel
External coating	Polyester powder coating(Black)	Red,green,blue,yellow silver color Nyloncoated	Housing Cover bolt	Stainless steel
Shaft	Standard shaft(17mm)	Long shaft	O-ring	NBR
			Bushing	Bronze
			E-ring(shaft)	Stainless steel
			Earth lug	Stainless steel
			Bracket	Stainless steel

DIMENSION ALP210 SERIES



BRACKET

NAMUR STANDARD



Model	Material	Application
MBP-100	Stainless steel	30×80 h20
MBP-200	Stainless steel	30×80 h30
MBP-300	Stainless steel	30×130 h30
MBP-400	Stainless steel	30×130 h50