

FOOT VALVE

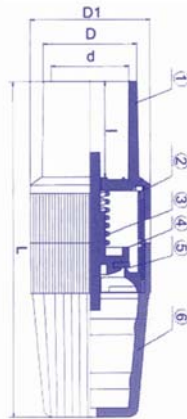
MODEL : KL-FV-3010
WORKING PRESSURE : 150 PSI. (1/2" - 2")
MAX. TEMPERATURE : 55°C

Specification of material :

NO.	1	2	3	4	5	6
PART	Body	Connector	Spring	Gate	Seal	Body (Strainer)
MATERIAL	U-PVC	EPDM, FPM ,NBR	STAINLESS STEEL	U-PVC	EPDM, FPM ,NBR	U-PVC
QTY	1	2	1	1	1	1

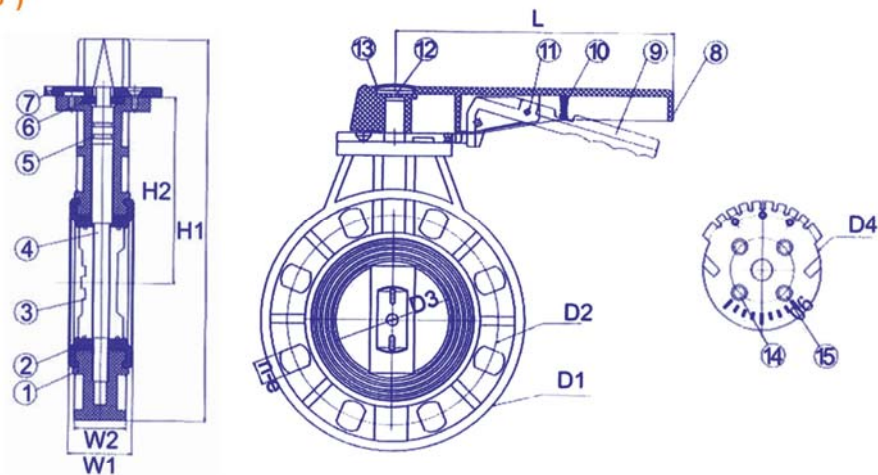
Dimensions :

SIZE	DN	NPT Thd./in	BSPT Thd./in	JIS d1	BS d1	ANSI d1	DIN d1	CNS d1	D	D1	I	L
1/2"	15	14	14	22	22	21.34	20	22.3	31	43.7	31	137
3/4"	20	14	14	26	26	26.67	25	26.3	35.5	43.7	32.5	141
1"	25	11.5	11	32	34	33.4	32	34.33	41.9	43.7	32.8	141
1.1/4"	32	11.5	11	38	42	42.16	40	42.2	51	78	35	195.3
1.1/2"	40	11.5	11	48	48	48.26	50	48.46	60.3	78	56	217.4
2"	50	11.5	11	60	60	60.33	63	60.56	72.5	78	57	217.4



BUTTERFLY VALVE

MODEL : KL-BFV-5010
END CONNECTOR : JIS, ANSI, PN 10, PN16
WORKING PRESSURE : 150 PSI. (2" - 6")
MAX. TEMPERATURE : 55°C



Specification of material :

NO.	1	2	3	4	5	6	7	8	9	10	11	12	13	14	15
PART	Body	Seat Seal	Gate	Stem	O-Ring	Washer	Locking Plate	Large Handle	Small Handle	Spring	Pin	Bolt	Handle Cap	Inserted Bolt	Bolt cap
MATERIAL	U-PVC	EPDM, FPM ,NBR	U-PVC	SUS410	EPDM, FPM ,NBR	ABS	U-PVC	ABS	ABS	SUS304	SUS304	SUS304	ABS	SUS304	U-PVC
QTY	1	1	1	1	2	1	1	1	1	1	1	1	1	4	4

Dimensions :

SIZE	DN	D1	DIN d2	ANSI d2	JIS d2	D3	D4	L	H1	H2	W1	W2	DIN n-Øe	ANSI n-Øe	JIS n-Øe
2"	50	160	120	121	120	50	99.7	190	223	100	43	37	4-18	4-19	4-19
2.1/2"	65	180	145	140	140	65	99.7	190	245	112	46	39	4-18	4-19	4-19
3"	80	196	160	152	150	80	99.7	240	278	132	49	43	8-18	8-19	8-19
4"	100	228	180	191	175	100	99.7	240	318	156	54	48	8-18	8-19	8-19
5"	125	258	210	216	210	125	139	310	367	195	64	58	8-18	8-22	8-23
6"	150	287	240	241	240	150	140	310	399	188	70	63	8-22	8-22	8-23
8"	200	344	295	298	290	200	140	310	469	230	88	80	8-23	8-22	12-23